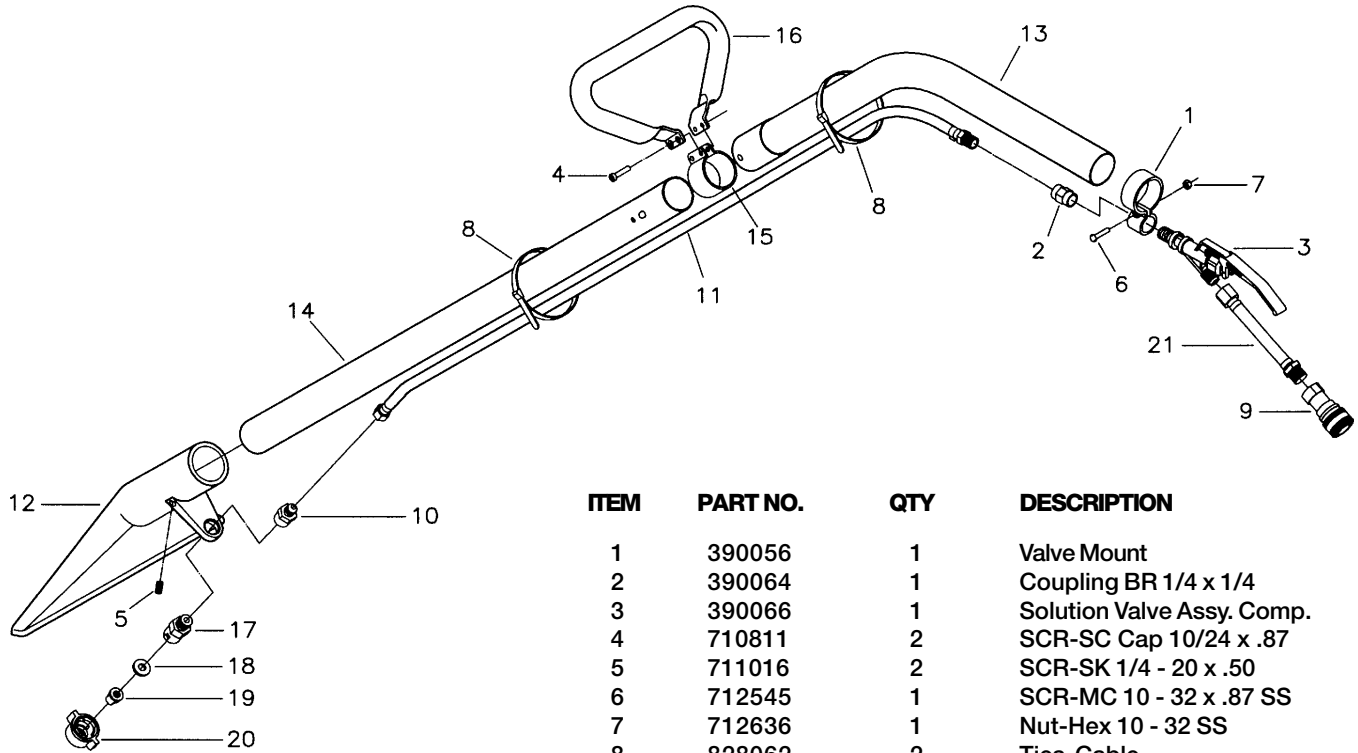


Minuteman®

DRAG WAND ASSEMBLY NO. 831255



ITEM	PART NO.	QTY	DESCRIPTION
1	390056	1	Valve Mount
2	390064	1	Coupling BR 1/4 x 1/4
3	390066	1	Solution Valve Assy. Comp.
4	710811	2	SCR-SC Cap 10/24 x .87
5	711016	2	SCR-SK 1/4 - 20 x .50
6	712545	1	SCR-MC 10 - 32 x .87 SS
7	712636	1	Nut-Hex 10 - 32 SS
8	828062	2	Ties Cable
9	828370	1	BH2-60 Female Coupler
10	828953	1	Flare Connector
11	831251	1	Hose Assy. Nylo .25 x 44"
12	831329	1	Floor Head POL
13	831643	1	Wand Tube
14	831644	1	Wand Extension
15	831647	1	Tube Clamp
16	831651	1	Handle
17	833140	1	Body Inlet Connection
18	833142	1	Gasket, Cap
19	833852	1	Spray Jet Tip
20	833853	1	Quick Tee Jet Cap Black
21	828490	2	Crimp Clamp 140R
22	829106	1	1/4 MPT x 1/4 Hose Barb
23	833488	1	HB Swiv. FI 146HBLFSV-4-4
24	390082	1	Hose Assembly

Minuteman®

World Headquarters
Minuteman International, Inc.
111 South Rohlwing Road
Addison, Illinois 60101

Minuteman Canada, Inc.
2210 Drew Road
Mississauga, Ontario
L5S 1B1

(630) 627-6900
FAX (630) 627-1130

(905) 673-3222
FAX (905) 673-5161

985723 4/01
Printed in U.S.A